

Split Core Current Transformers GWSCCT660A Series

GWSCCT660A series retro-fit (split-core) current transformer has been specially designed to facilitate their installation in new or already existing net works. They may be installed without opening any cable or bus-bar circuit. An internal precision resistor across the secondary winding of the CT provides a low safe voltage output. It can save time and the installation costs.

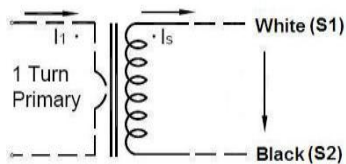
◆ Features

- The structure of the self-locking, safe, easy to install, portable
- Wide inner window, allowing clamping of big cables or bus-bars
- Wide range of sizes to accommodate all the existing installations

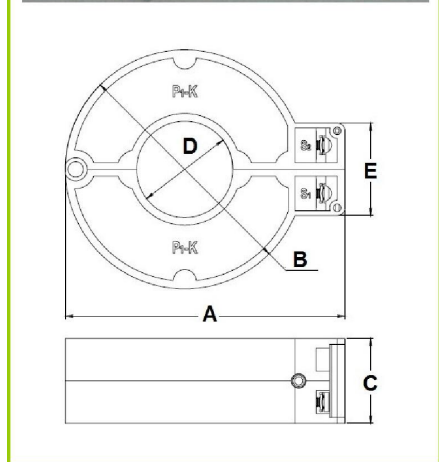
◆ Applications

- Current measurement, monitoring and protection for electrical wiring and equipment.
- Current and power measurement for electric motors, lighting, air compressor, heating and ventilation system, air-condition equipment and automation – control system.Current, power and monitoring device.

◆ Circuit connection diagram



◆ Technique Index



Electrical Parameter	
Frequency	50-2.5KHz
Rated Input	0.5A-630A
Measuring range	10%In-130%In
Rated Output	0.333V(AC) or 0-5A
Ratio	±0.2%
Phase angle	≤ ±30min
Dielectric strength	5.0KV/1mA/1min
Insulation Resistance	DC500V/100MΩ min

Mechanical Parameter	
Case	ABS/UL94-V0
Bobbin	PBT
Core	Permalloy
Internal structure	Epoxy
Construction	Tie
Operating Temp	-25°C ~ +75°C
Operating Humidity	≤85%
Output Connection	Terminal or UL1015 22AWG Wire 1.5m

Type Selection

Mfg P/N	Rated Input (A)	Output (mA/V)	Accuracy	Dimensions(mm)				
				A	B	C	D	E
SCCT660A-010	0.5-100A (1、5、10、30、50、100)	0-50mA 0.333V	0.2、0.5、1.0	50.0	40.0	22.5	10.0	24.0
SCCT660A-016	1-250A (10、50、75、100、200、250)	0-100mA/1A 0.333V	0.2、0.5、1.0	61.0	50.0	22.5	16.0	24.0
SCCT660A-025	5-400A (10、50、100、200、250、400)	0-200mA/1A/5A 0.333V	0.2、0.5、1.0	74.0	62.0	22.5	25.0	24.0
SCCT660A-032	5-630A (10、50、100、200、250、630)	0-200mA/1A/5A 0.333V	0.2、0.5、1.0	81.5	70.0	22.5	32.0	24.0