



## Current Transformers for Motor Protection

The GREWIN TTA series miniature current transformers are designed for motor protection. It is mainly used in 380V, 660V AC motor protection, which can change AC current signal from high-tension to low-tension for electrical circuit based on microprocessor.

A new TA model can be designed and manufactured to meet the specific design challenges of the client's specific application. The following models are only a small sampling of the many different products which have been and are currently being manufactured.



### ■ Features:

- Low cost
- More than 10 standard size
- Chassis mounting pattern

### ■ Specifications:

- Exterior materials: PBT or ABS resin UL flame
- Interior insulation: Epoxy encapsulated
- Frequency: 50 to 400 Hz
- Retardant rating: 94-V0
- Isolation voltage: 2500 Vrms for 1 minute
- Dielectric resistance: 1,000MΩ At 500V DC
- Surge withstand: 5000V (1.2/50μ S standard shock wave)
- Rated load resistance: 100kΩ
- Operating temperature: -25 to +55° C and -40 to +85° C optional
- Accuracy class: As defined in IEC 60044-1

### ■ Applications:

- Current monitor of AC motor
- Illumination device, air compressor and HVAC
- Temperature control, electrical energy managing, building control system
- Current measurement, monitoring, protection for circuitry and equipment
- RoHS Directive-compliant

Address: HeXi Distr,300222 Tianjin China.  
Website: [www.grewin-tech.com](http://www.grewin-tech.com)  
Email: [salesmanager@grewin-tech.com](mailto:salesmanager@grewin-tech.com)

Phone: +86-022-84943756  
WhatsApp: +86-13072088960



# Tianjin Grewin Technology Co.,Ltd

## ■ PERFORMANCES

Model	Specifications (Rated input/Output)	Turn ratio	Accuracy class	Max over loading current		Outline Dimension ID-L-W-H (mm)	Mounting means
				Overload multiples	Duration (s)		
GWTTA7161	2A/ 0.1V...0.353V	1:2000 1:3000	0.2	10	2	10.0 100.0-28.0-39.0	bolting
	5A/0.1V...0.353V						
	6.3A/ 0.1V...0.353V						
	10A/ 0.1V...0.353V						
	25A/ 0.1V...0.353V						
	50A/ 0.1V...0.353V						
GWTTA7261	25A/ 0.1V...0.353V	1:2000 1:3000	0.2	10	2	20.0 115.0-42.0-45.0	bolting
	50A/ 0.1V...0.353V		0.5				
	100A/ 0.1V...0.353V		8				
GWTTA7361	25A/ 0.1V...0.353V	1:2000 1:3000	0.5	10	2	20.0 120.0-50.0-57.0	bolting
	50A/ 0.1V...0.353V						
	100A/ 0.1V...0.353V						
	150A/ 0.1V...0.353V						
GWTTA7561	2A/ 0.1V...0.353V	1:2000 1:3000 1:4000	0.2	10	2	15.0 69.5-43.0-104.0	35mm standard guide way or bolting
	5A/ 0.1V...0.353V						
	6.3A/ 0.1V...0.353V						
	10A/ 0.1V...0.353V						
	25A/ 0.1V...0.353V						
	50A/ 0.1V...0.353V						
	100A/ 0.1V...0.353V						
150A / 0.1V...0.353V							

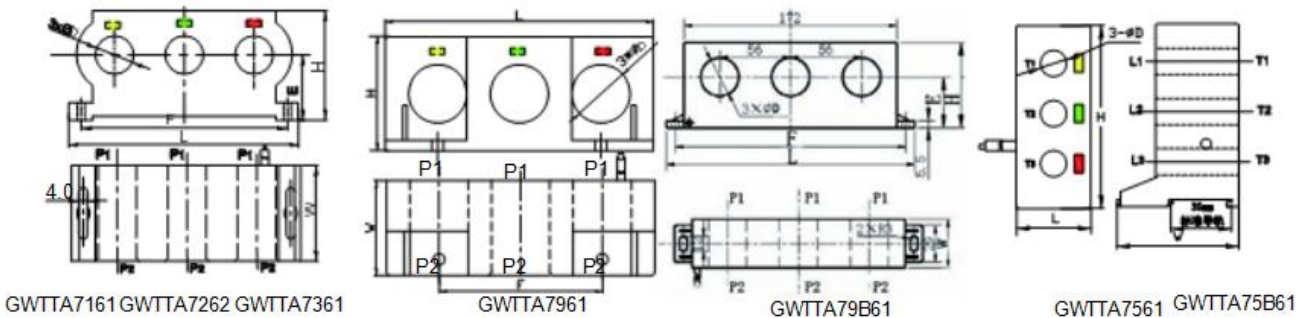
Address: HeXi Distr,300222 Tianjin China.  
 Website:www.grewin-tech.com  
 Email:salesmanager@grewin-tech.com

Phone:+86-022-84943756  
 WhatsApp:+86-13072088960

Model I	Specifications (Rated input/Output)	Turn ratio	Accuracy class	Max over loading current		Outline Dimension ID-L-W-H (mm)	Mounting means
				Overload multiples	Duration (s)		
GWTTA75B61	25A/0.1V...0.353V	1:2000 1:3000 1:4000	0.5	10	2	20.0 59.0-52.0-126.0	35mm standard guide way or bolting
	50A/0.1V...0.353V		0.2				
	100A/0.1V...0.353V						
	150A/0.1V...0.353V						
	200A/0.1V...0.353V						
GWTTA7661	2A/0.1V...0.353V	1:2000 1:3000 1:4000	0.2	10	2	20.0 94.0-53.0-92	35mm standard guide way or bolting
	6.3A/0.1V...0.353V		0.5				
	10A/0.1V...0.353V		0.2				
	25A/0.1V...0.353V						
	50A/0.1V...0.353V						
	100A/0.1V...0.353V						
	150A/0.1V...0.353V						
GWTTA7861	100A/0.1V...0.353V	1:2000 1:3000 1:4000	0.2	10	2	40.0 -212-47-89.3	bolting
	200A/0.1V...0.353V						
	250A/0.1V...0.353V						
	300A/0.1V...0.353V						
	400A/0.1V...0.353V						
GWTTA7961	100A/0.1V...0.353V	1:2000 1:3000 1:4000	0.2	10	2	40.0 184-63.0-78.0	bolting
	200A/0.1V...0.353V						
	250A/0.1V...0.353V						
	300A/0.1V...0.353V						
	400A/0.1V...0.353V						
GWTTA79A61	25A/0.1V...0.353V	1:2000 1:3000 1:4000	0.5	10		25.0 59-52.0-126	bolting
	50A/0.1V...0.353V		0.2				
	100A/0.1V...0.353V						
	200A/0.1V...0.353V						
	250A/0.1V...0.353V						
GWTTA79B61	100A/0.1V...0.353V	1:2000 1:3000 1:4000	0.2	10	2	30.0 196-38.0-74.0	bolting
	200A/0.1V...0.353V						
	250A/0.1V...0.353V						
	300A/0.1V...0.353V						
	400A/0.1V...0.353V		8				

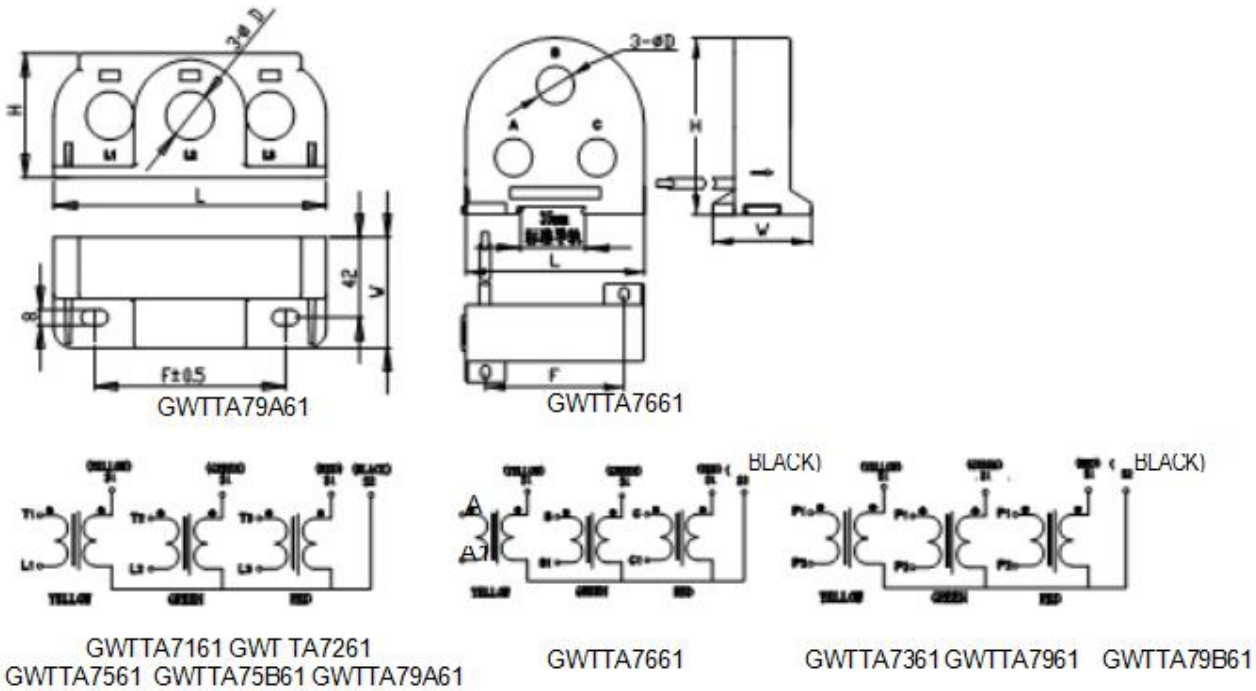
Note: Secondary output for current signal

## OUTLINE DRAWINGS



Address: HeXi Distr,300222 Tianjin China.  
 Website:www.grewin-tech.com  
 Email:salesmanager@grewin-tech.com

Phone:+86-022-84943756  
 WhatsApp:+86-13072088960



■ OUTLINE DIMENSION

Unit: mm (inch)

Model	L	W	H	D	E	F
GWTTA7161	100.0(3.937)	28.0(1.102)	39.0(1.535)	10.0(0.394)	22.0(0.866)	91.0(3.583)
GWTTA7261	115.0(4.528)	42.0(1.654)	45.0(1.772)	20.0(0.787)	24.0(0.945)	108.0(4.252)
GWTTA7361	120.0(4.724)	50.0(1.968)	57.0(2.244)	20.0(0.787)	34.0(1.339)	108(4.252)
GWTTA7561	42.5(1.673)	69.5(2.736)	104(4.094)	15.0(0.591)	---	---
GWTTA75B61	52.0(2.047)	58.5(2.303)	127.0(5.0)	20.0(0.787)	---	---
GWTTA7661	94.0(3.701)	52.0(2.047)	93.0(3.661)	20.0(0.787)	---	73.0(2.874)
GWTTA7961	184.0(7.244)	65.0(2.559)	78.0(3.071)	40.0(1.575)	---	112.0(4.409)
GWTTA79A61	143.0(5.630)	58.0(2.283)	65.0(2.559)	25.0(0.984)	---	100.0(3.937)
GWTTA79B61	196.0(7.717)	38.0(1.496)	74.0(2.913)	30.0(1.181)	40.0(1.575)	182.0(7.165)