



# TIANJIN GREWIN TECHNOLOGY CO.,LTD.

Web:[www.grewin-tech.com](http://www.grewin-tech.com)

WhatsApp:+86-13072088960

Email:salesmanager@grewin-tech.com

## Split Core Current Transformer GWSCCT752D Series

**GWSCCT752D series** retro-fit (split-core) current transformer has been specially designed to facilitate their installation in new or already existing net works. They may be installed without opening any cable or bus-bar circuit. An internal precision resistor across the secondary winding of the CT provides a low safe voltage output. It can save time and the installation costs.

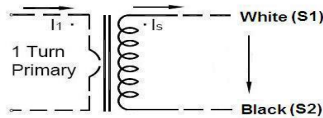
### ◆ Features

- Outdoor use, resisting wind, rain and UV fading,IP65, Acquisition voltage signal in the field
- The structure of the self-locking, safe, easy to install, portable
- Wide inner window, allowing clamping of big cables or bus-bars
- Wide range of sizes to accommodate all the existing installations

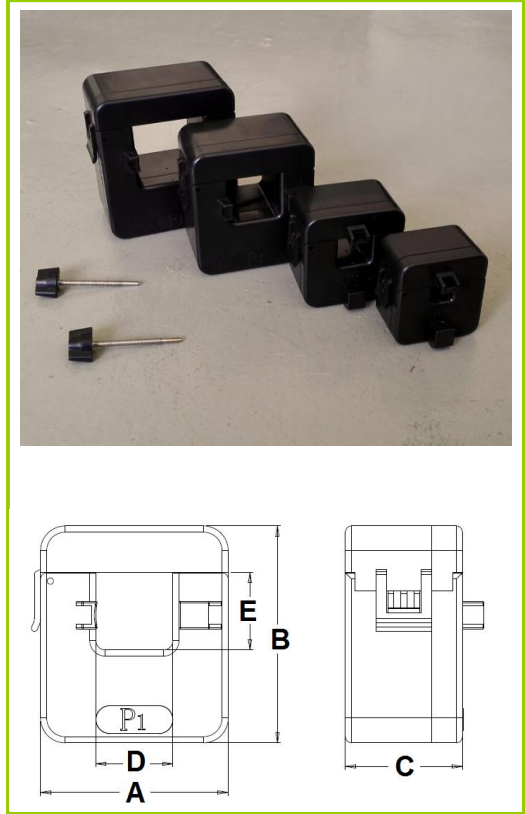
### ◆ Applications

- Current measurement, monitoring and protection for electrical wiring and equipment.
- Current and power measurement for electric motors, lighting, air compressor,heating and ventilation system, air-condition equipment and automation – control system.
- Current, power and energy monitoring device.

### ◆ Circuit connection diagram



### ◆ Technique Index



Mfg P/N	Rated Input	Output	Accuracy	Dimensions(mm)				
				A	B	C	D	E
GWSCCT752D-010	0.5-100A	0.333V/0-50mA	0.2、0.5、1.0	40.0	45.0	26.0	10.0	10.0
GWSCCT752D-016	1-200A	0.333V/0-100mA/1A	0.2、0.5、1.0	48.0	52.0	30.0	16.0	16.0
GWSCCT752D-025	5-400A	0.333V/0-200mA/1A	0.2、0.5、1.0	61.0	70.0	38.0	25.0	25.0
GWSCCT752D-036	5-630A	0.333V/0-200mA/1A	0.2、0.5、1.0	72.0	82.0	40.0	36.0	36.0

Electrical Parameter	
Frequency	50-2.5KHz
Rated Input	0.5A-630A
Measuring range	5%In-130%In
Rated Output	0.333V(AC) or 0-1A
Ratio	≤± 0.5%
Phase angle	≤ ±30min
Dielectric strength	5.0KV/1mA/1min
Insulation Resistance	DC500V/100MΩ min

Mechanical Parameter	
Case	PC/UL94-V0
Bobbin	PBT
Core	Permalloy
Internal structure	Epoxy
Construction	Tie
Operating Temp	-25℃~+75℃
Operating Humidity	≤85%
Output Connection	Terminal or UL1015 22AWG Wire 1.5m